

EN | R, ALIGATOR

Surface planer, Thicknesser

Quality surface with thickening and planing machines R and Aligator



R series

Achieve flat and quality surface with planner R

430 / 530

The surface planer R thicknesser is designed for adjusting the thickness of workpieces made of wood or woodbased materials on one (top) side of the workpiece with the objective of achieving the required thickness of the workpiece, a flat and quality surface.

With respect to these properties, the surface planer R thicknesser is suitable for all woodworking facilities.

→ Introduction

Standard and Optional equipment

Technical Specifications

Houfek machines



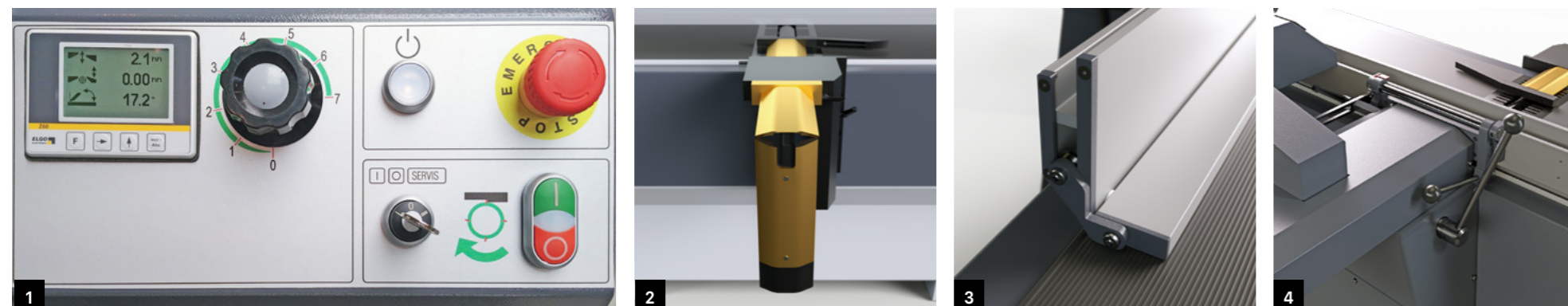
Features

- Planing wood-based materials
- Planing width up to **530 mm**
- Motor power up to **5,5 kW**
- Tilttable fence **0°- 45°**

Applications

- High performance machine for extreme requirements as regards the output
- Accuracy and solidity
- R thicknesser is suitable for all woodworking facilities

STANDARD AND OPTIONAL EQUIPMENT



Standard equipment

- Work table length 3050 mm
- Grooved table
- Size of fence 1300 x 150 mm with hinged auxiliary fence
- Tilttable fence 0°- 45°
- Cutterhead Ø 120 mm, 4 knives
- Automatic star / delta switch
- Automatic adjustment of cut depth
- Electronic measuring of cut depth
- Upper control panel
- SUVAMATIC cutterhead guard
- Electromagnetic brake
- Exhaust outlet Ø 150 mm
- Knife setting device with indicator
- CE certification

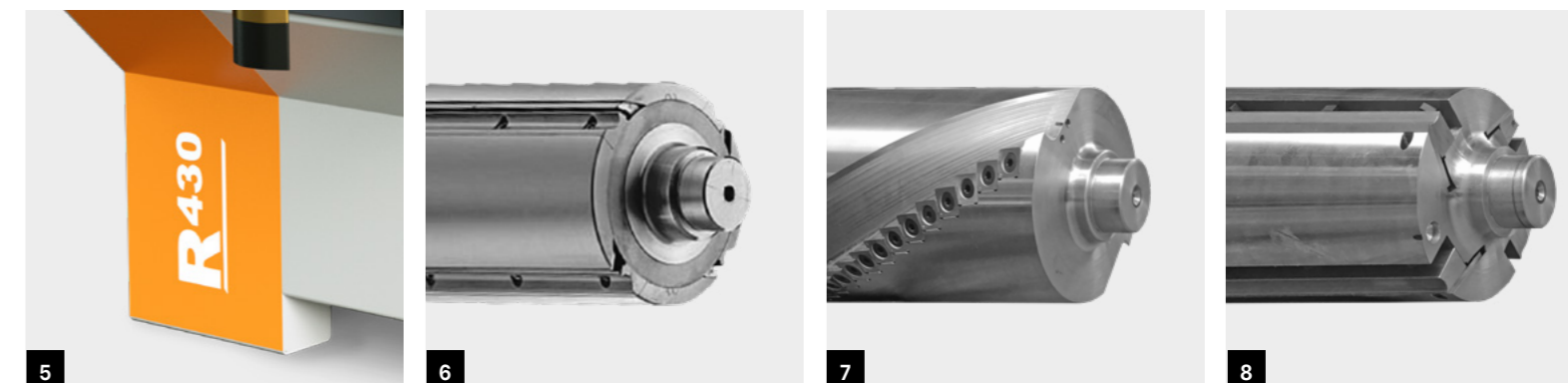
Optional equipment

- Spiral cutterhead with insert knives
- Cutterhead for knives
- Modification for power feed unit installation
- Extra set of knives

TECHNICAL SPECIFICATIONS

SURFACE PLANER

R



R SURFACE PLANER

		430	530
Total work table length	mm	3050	3050
Work table length infeed / outfeed	mm	1625 / 1425	1625 / 1425
Work table width	mm	450	550
Max. working width	mm	430	530
Cutterhead diameter	mm	120	120
Number of knives	pcs	4	4
Cutterhead speed	rpm	4600	4600
Max. material removal	mm	7	7
Motor	kW	5,5	5,5
Exhaust outlet diameter	mm	150	150
Required exhaust capacity	m³/hr	1800	2000
Exhaust speed	m/s	22	22
Machine dimensions (L x W x H)	mm	3150 x 1100 x 1200	3150 x 1100 x 1200
Weight	kg	530	570

1. OPERATING PANEL
2. SUVAMATIC CUTTERHEAD GUARD
3. RULLER
4. TILTTABLE FENCE 0°- 45°

5. ILLUMINATED LOGO
6. CUTTERHEAD FOR KNIVES TYPE TERSA
7. SPIRAL CUTTERHEAD WITH INSERT KNIVES
8. 4 KNIVES CUTTERHEAD

Introduction

→ **Standard and Optional equipment**

→ **Technical Specifications**

Houfek machines



A series

High operating comfort and excellent accuracy

530 / 630 / 800

ALIGATOR thicknesser is used for removal of the wood layer from one (top) side of material with the objective to reach required thickness of the workpiece, flat and quality surface.

With respect to these properties, ALIGATOR thicknesser is designed for all woodworking facilities. The machine is designed for two control points.

→ Introduction

Standard and Optional equipment

Technical Specifications

Houfek machines



Features

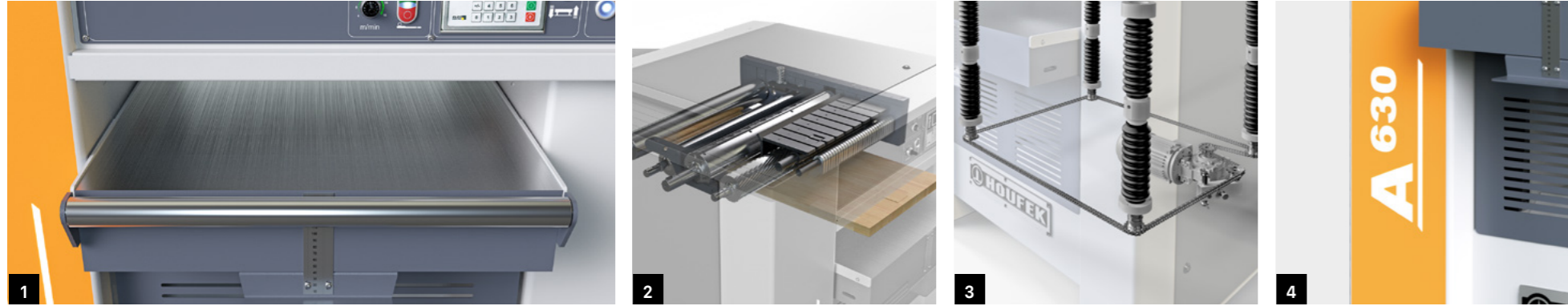
- Thicknessing wood-based materials
- Planing width up to **800 mm**
- Motor power up to **15 kW**
- **4-point** worktable support

Applications

- Highly efficient machine with high operating comfort and excellent accuracy
- ALIGATOR thicknesser is designed for all woodworking facilities



STANDARD AND OPTIONAL EQUIPMENT



Standard equipment

- Motorized table height adjustment
- Automatic table height adjustment
- Work table length 1200 mm
- Infeed grooved roller
- Automatic star / delta switch
- Electromagnetic brake
- Feed frequency convertor - speed 4 – 19 m/min
- Cutter head Ø 120, 150 mm, 4 knives
- Divided infeed pressure segments, outfeed pressure bar
- 1 infeed grooved roller, 2 outfeed steel rollers
- Work table support - 4 points
- Min. / max. working height 3 - 300 mm
- Exhaust outlet Ø 150 mm, 180 mm (A 800)
- Knife setting device with indicator
- CE certification

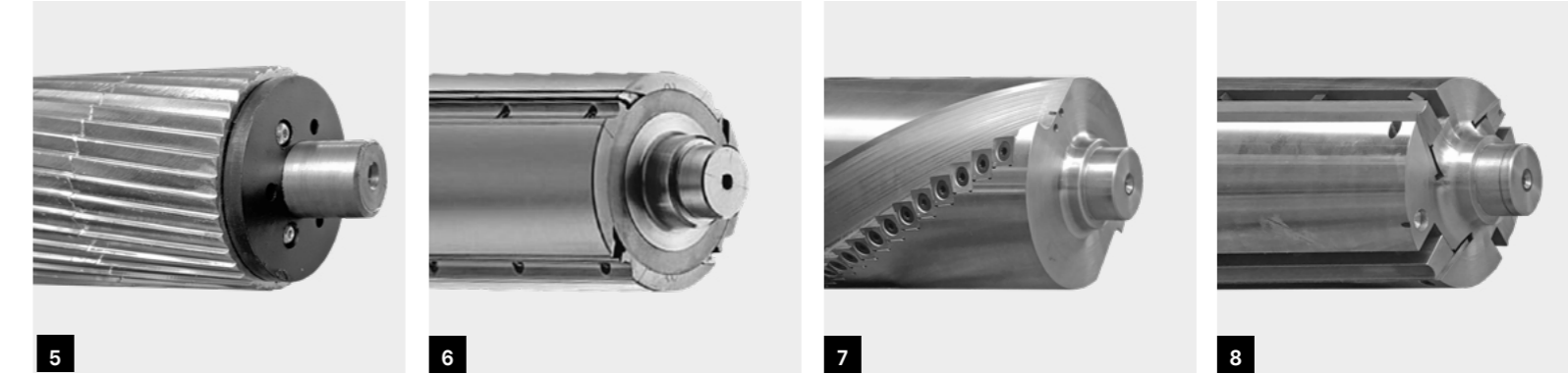
Optional equipment

- Motor 10 HP (7,5 kW) for A 530
- Motor 15 HP (11 kW) for A 630
- Motor 20 HP (15 kW) for A 800
- Serrated segmented infeed roller
- Front and rear extension rollers
- Two height adjustable rollers in thickening table
- Rubbered infeed roller
- Two rubbered outfeed rollers
- Rear extension table 1200 mm
- Spiral cutterhead with insert knives
- Grooved table
- Cutterhead for knives type „Tersa“

TECHNICAL SPECIFICATIONS

THICKNESSER

A



A THICKNESSER

		530	630	800
Max. working width	mm	530	630	800
Min. – max. working height	mm	3 – 300	3 – 300	3 – 300
Feed speed	m/min	4 – 19	4 – 19	4 – 19
Motor	kW	5,5	7,5	11
Cutterhead diameter	mm	120	120	150
Cutterhead length	mm	550	650	820
Cutterhead speed	rpm	4600	4600	4600
Number of knives	pcs	4	4	4
Machine dimensions (L x W x H)	mm	1450 x 1100 x 1250	1450 x 1200 x 1250	1450 x 1370 x 1250
Weight	kg	1020	1110	1380

1. FRONT AND REAR EXTENSION ROLLERS
2. AGGREGATE
3. WORK TABLE SUPPORT - 4 POINTS
4. BACKLIT LOGO

5. SERRATED SEGMENTED INFEED ROLLER
6. CUTTERHEAD FOR KNIVES TYPE „TERSA“
7. SPIRAL CUTTERHEAD WITH INSERT KNIVES
8. 4 KNIVES CUTTERHEAD



Introduction

→ **Standard and Optional equipment**

→ **Technical Specifications**

Houfek machines

Houfek machines

Woodworking machines

Woodworking machines Houfek were made with regard to simple construction, maximum performance and good price.

Construction materials and components used for production are together with the technical machine solution a guarantee of reliable, easy and safe machine operation, high quality of machining and economical operation.

[Introduction](#)

[Standard and Optional equipment](#)

[Technical Specifications](#)

→ **Houfek machines**



Wide belt sanders



Surface planers and thicknessers



Brushing machines



Belt sanders and oscillating edge sanders





**We export to 45 countries
worldwide.
Our machines run also
in overseas states.**



**Houfek a.s.
Obora 797
582 82 Golčův Jeníkov
Czech Republic**



+420 569 430 700
+420 737 243 917
+420 737 243 911



export@houfek.com



www.houfek.com



EUROPEAN UNION
European Regional Development Fund
Operational Programme Enterprise
and Innovations for Competitiveness

